



CONTEG DATA SHEET

version: 08-09-2010

CABLE MANAGEMENT

OPTICAL PATHWAY SYSTEM

CONTEG, spol. s r.o.

Headquarters Czech Republic:
Na Vítězné pláni 1719/4
140 00 Prague 4

Tel.: +420 261 219 182
Fax: +420 261 219 192
conteg@conteg.com
www.conteg.com

Local Offices:

Austria:	+43 699 1819 7071
Benelux:	+32 477 957 126
Eastern Europe:	+49 172 848 4346
France:	+33 686 074 386
Germany:	+49 170 523 4958
Russia:	+7 495 506 1328



OptiWay is designed to provide a safe, easy to use, and cost effective management system for your fragile optical cables. OptiWay allows you to route fiber optic cables among equipment and provides the physical protection and bend radius management that is crucial to optical cable performance.

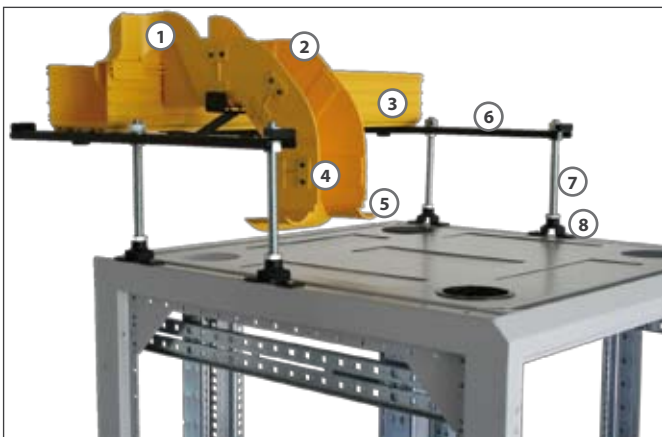
Constructed of halogen free PC/ABS material OptiWay can be used to protect your cabling from the point of building entry right up to the terminal devices. The OptiWay system is fully modular giving you unrivalled flexibility in your chosen layout, whether a new build or refurbishment project.

OPTIWAY

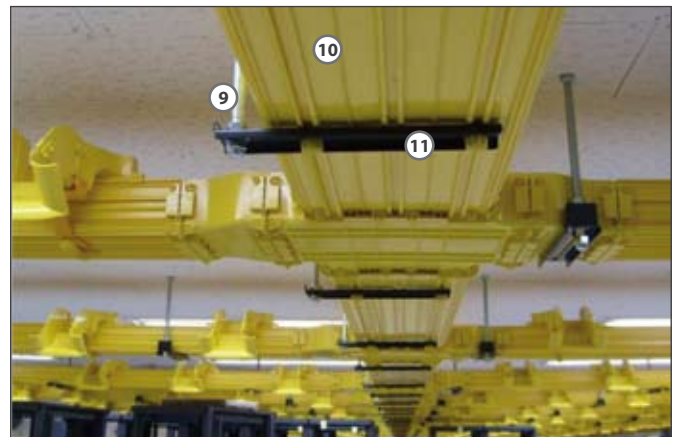


Description of pictures 1 and 2 on the right		
No	Code	Description
1	OPW-10DR	Spillover
2	OPW-16IA45	Vertical inside elbow
3	OPW-16MD2M	Main Duct
4	OPW-10JO	Joiner
5	OPW-10TP	Trumpet
6	OPW-RRB-100	Threaded rod attachment bracket (rack mounting)
7	OPW-TR-16/20	Threaded rod
8	OPW-TR-BR	Threaded rod mounting bracket
9	OPW-TR-16/100	Threaded rod
10	OPW-30MD2M	Main duct
11	OPW-TRB-30	Threaded rod attachment bracket (ceiling mounting)

OPTIWAY INSTALLATION - there are two ways of installing OptiWay system. In the first case the threaded rods are fixed to the ceiling construction and OptiWay ducts are supported by brackets mounted on the threaded rods. In the second case, threaded rods are fixed to the top of rack. OptiWay ducts are again supported by brackets mounted on the threaded rods. As each type of installation has its own specific features, the final design is individually customized by CONTEG product engineers to guarantee the best available OptiWay system performance.



1. Example of OptiWay installation on the top of the rack



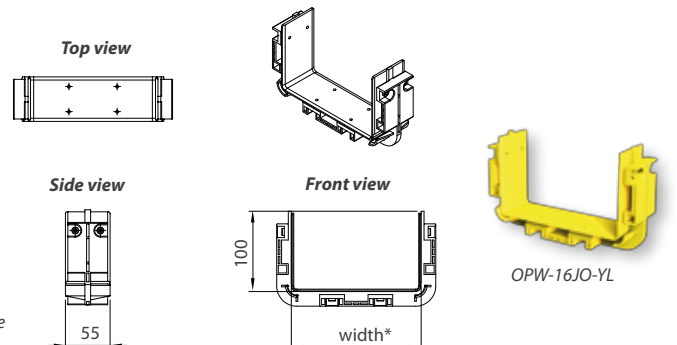
2. Example of OptiWay installation from the ceiling

JOINER

Used to connect two components of OptiWay. The joiner does not require drilling of duct or components. Screws included. Color: Yellow

Code	Inner duct size in mm	
	H	W
OPW-10JO-YL	100	100
OPW-16JO-YL	100	160
OPW-30JO-YL	100	300

* for available widths see appropriate table





MAIN DUCT

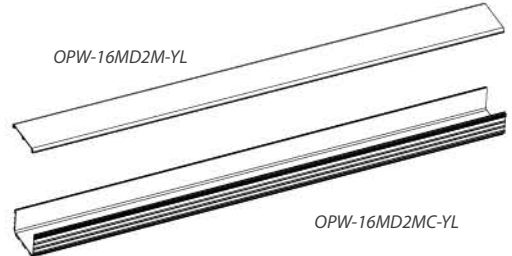
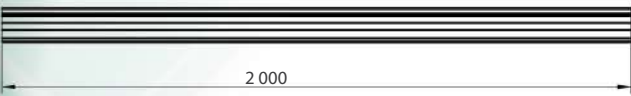
The main duct is an extruded 2 meter long conduit and can be connected with any other OptiWay products using joiners. The duct can be easily cut to length on site. Delivered always in even numbers (packaged by 2pcs = 4m). Color: Yellow

Code	Inner duct size in mm		Length in m
	H	W	
OPW-16MD2M-YL	100	160	2
OPW-30MD2M-YL	100	300	2
Covers			
OPW-16MD2MC-YL	-	160	2000
OPW-30MD2MC-YL	-	300	2000

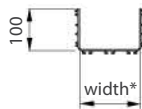
Top view



Side view



Front view



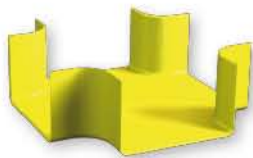
Duct load rating 20kg/m, required distance between brackets max. 900mm

* for available widths see appropriate table

CROSS

The Cross is used to establish a 4 way right angled intersection. Four joiners are required per cross. Color: Yellow

Code	Inner duct size in mm		Arms
	H	W	
OPW-16CA-YL	100	160	4
OPW-30CA-YL	100	300	4
Covers			
OPW-16CAC-YL	-	-	160
OPW-30CAC-YL	-	-	300

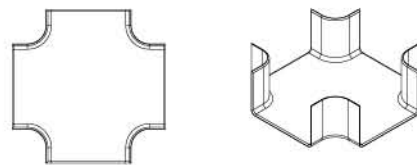


OPW-16CA-YL

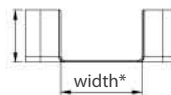


OPW-16CAC-YL

Top view



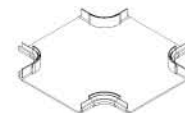
Side view



Front view



Cover



* for available widths see appropriate table

REDUCER

The reducer allows sections of 300 x 100 & 160 x 100 OptiWay to be joined together. Two joiners are required per reducer. Color: Yellow

Code	Inner duct size in mm	
	H	W ₁ / W ₂
OPW-3016RD-YL	100	300 / 160
Cover		
OPW-3016RDC-YL	-	300 / 160

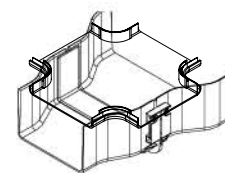
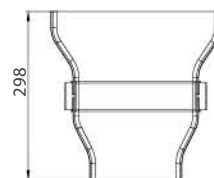


OPW-3016RD-YL

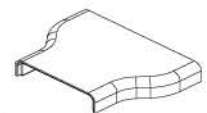


OPW-3016RDC-YL

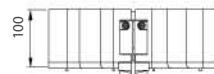
Top view



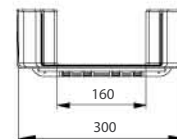
Cover



Side view



Front view



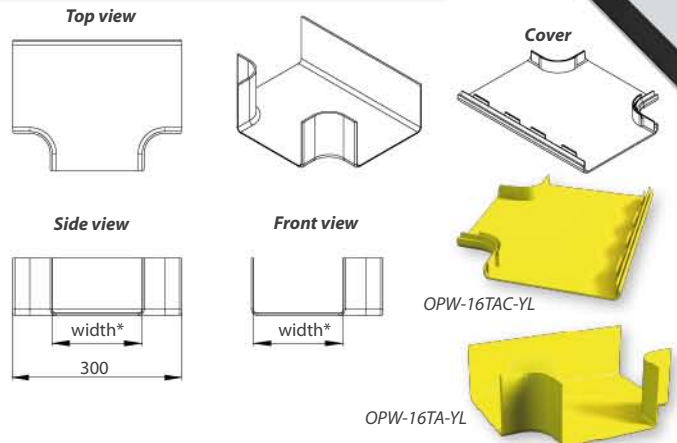
Note: All dimensions in mm



TEE

The Tee is used to 3-way right angled intersection. Three joiners are required per Tee. Color: Yellow

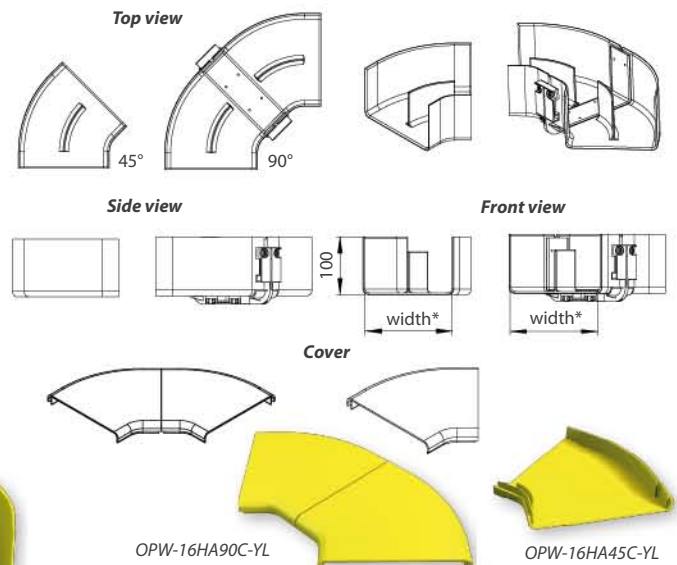
Code	Inner duct size in mm	
	H	W
OPW-16TA-YL	100	160
OPW-30TA-YL	100	300
Covers		
OPW-16TAC-YL	-	160
OPW-30TAC-YL	-	300



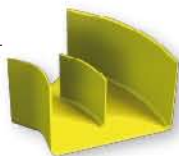
HORIZONTAL ELBOW

The horizontal elbows allow ducts to be diverted through 45° or 90°. Two joiners required per elbow. Color: Yellow

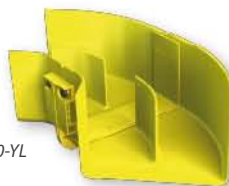
Code	Type	Inner duct size in mm	
		H	W
OPW-16HA45-YL	45°	100	160
OPW-30HA45-YL	45°	100	300
OPW-16HA90-YL	90°	100	160
OPW-30HA90-YL	90°	100	300
Covers			
OPW-16HA45C-YL	45°	-	160
OPW-30HA45C-YL	45°	-	300
OPW-16HA90C-YL	90°	-	160
OPW-30HA90C-YL	90°	-	300



OPW-16HA45-YL



OPW-16HA90-YL

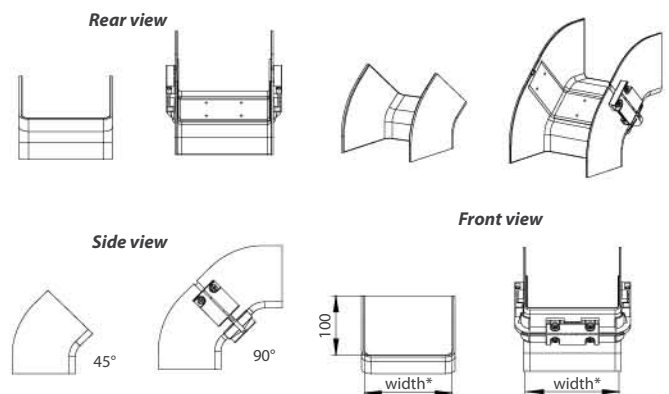


* for available widths see appropriate table

VERTICAL INSIDE ELBOW

The vertical inside elbows allow ducts to be diverted through 45° or 90° with an Inside angle (usually in a downward direction). Two joiners required per elbow. Color: Yellow

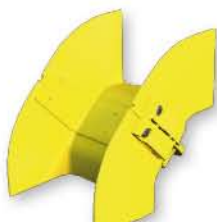
Code	Type	Inner duct size in mm	
		H	W
OPW-16IA45-YL	45°	100	160
OPW-30IA45-YL	45°	100	300
OPW-16IA90-YL	90°	100	160
OPW-30IA90-YL	90°	100	300
Covers			
OPW-16IA45C-YL	45°	-	160
OPW-30IA45C-YL	45°	-	300
OPW-16IA90C-YL	90°	-	160
OPW-30IA90C-YL	90°	-	300



* for available widths see appropriate table



OPW-16IA45-YL

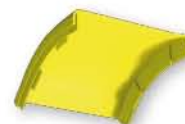


OPW-16IA90-YL

OPW-16IA90C-YL



OPW-16IA45C-YL



Note: All dimensions in mm

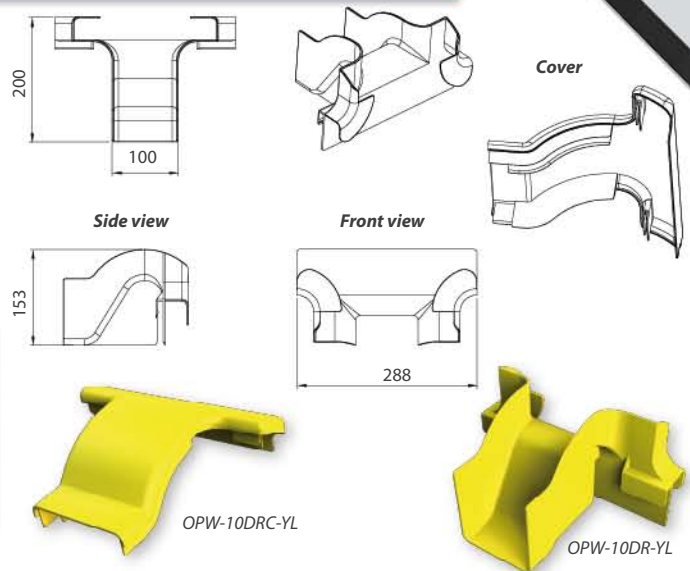


SPILLOVER

The spillover is used to provide a controlled exit from the OptiWay ducting system for cables. Color: Yellow

Code	Inner duct size in mm	
	H	W
OPW-10DR-YL	100	100
Cover		
OPW-10DRC-YL	-	100

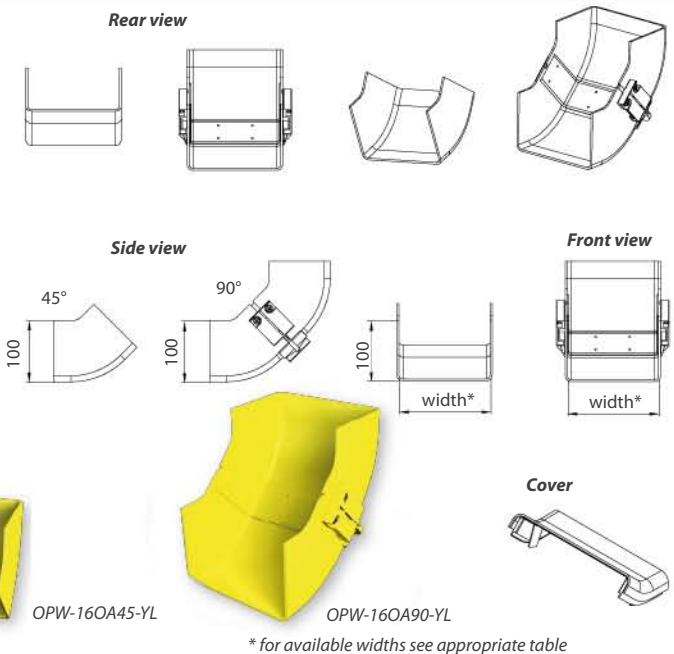
ACCESSORIES FOR SPILLOVER	
Code	Description
OPW-10JO-YL	OptiWay 100 Joiner, 100 x 100mm, yellow
OPW-10TP-YL	OptiWay 100 Trumpet, 100 x 100mm, yellow
OPW-10IA45-YL	OptiWay 100mm 45 degree down angle, yellow
OPW-SDMB-16	OptiWay Side Drop Mounting Bracket for 160 x 100mm duct size
OPW-SDMB-30	OptiWay Side Drop Mounting Bracket for 300 x 100mm duct size



VERTICAL OUTSIDE ELBOW

The vertical outside elbows allow ducts to be diverted through 45° or 90° with an Inside angle (usually in an upward direction). Two joiners required per elbow. Color: Yellow

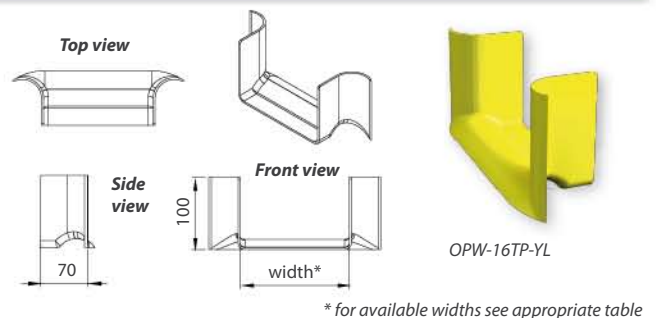
Code	Angle	Inner duct size in mm	
		H	W
OPW-16OA45-YL	45°	100	160
OPW-30OA45-YL	45°	100	300
OPW-16OA90-YL	90°	100	160
OPW-30OA90-YL	90°	100	300
Covers			
OPW-16OA45C-YL	45°	-	160
OPW-30OA45C-YL	45°	-	300
OPW-16OA90C-YL	90°	-	160
OPW-30OA90C-YL	90°	-	300



TRUMPET

The trumpet is used to provide bend-radius control for cables entering or exiting the OptiWay ducting system. One joiner is required per trumpet. Color: Yellow

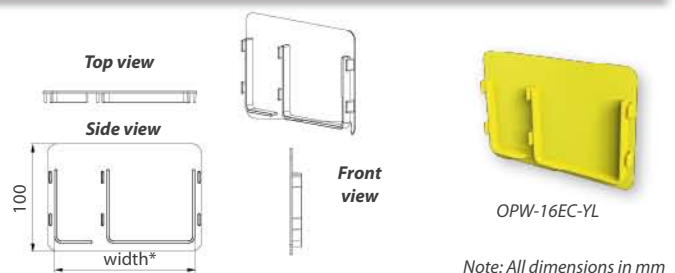
Code	Inner duct size in mm	
	H	W
OPW-10TP-YL	100	100
OPW-16TP-YL	100	160
OPW-30TP-YL	100	300



END CAP

Provides a clean finish to the end of an OptiWay run. Color: Yellow

Code	Inner duct size in mm	
	H	W
OPW-16EC-YL	100	160
OPW-30EC-YL	100	300



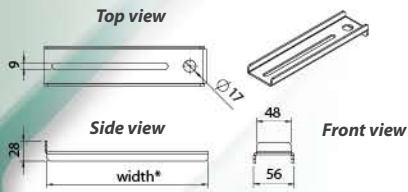
* for available widths see appropriate table

Note: All dimensions in mm

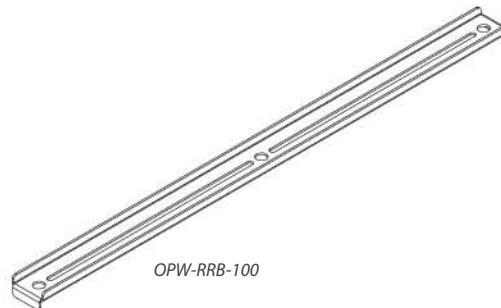
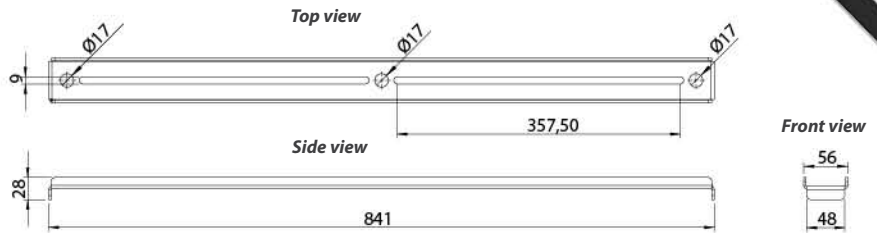


THREADED ROD ATTACHMENT BRACKET

Basic supporting element. Consists of metal bracket and 2 fixing screws. Please note: brackets do not include threaded rod. Recommended threaded rod of diameter 12-16mm. Color: Black



OPW-TRB-16



OPW-RRB-100

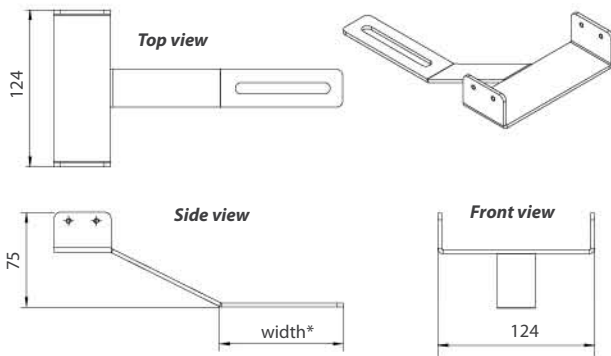
Code	Bracket length in mm	Type of mounting	Rec. rack depth in mm	Mount. holes
OPW-TRB-16	160	ceiling mounted	all	1
OPW-TRB-30	300	ceiling mounted	all	1
OPW-RRB-40	400	mounted on the top of the half part of the rack	800	2
OPW-RRB-50	500	mounted on the top of the half part of the rack	1000	2
OPW-RRB-60	600	mounted on the top of the half part of the rack	1200	2
OPW-RRB-80	800	on top of the rack or overlap of the rack	800	2
OPW-RRB-100	1000	on top of the rack or overlap of the rack	1000	2
OPW-RRB-120	1200	on top of the rack or overlap of the rack	1200	2

Note: required distance between brackets max. 900mm

* for available widths see appropriate table

SPILLOVER SUPPORT BRACKET

Spillover's supporting element. Consists of metal bracket and 2 fixing screws. Color: Black



Code	Supported duct inner size in mm	
	H	W
OPW-SDMB-16	100	160
OPW-SDMB-30	100	300

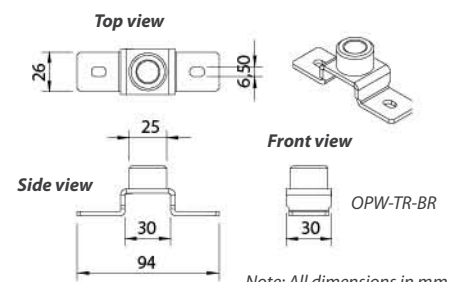


* for available widths see appropriate table

Note: All dimensions in mm

THREADED ROD

Code	Supported duct inner size in mm		Type of mounting
	H	Size	
OPW-TR-16/100	1000	M16	from the ceiling
OPW-TR-16/200	2000	M16	from the ceiling
OPW-TR-16/20	200	M16	on the top of the rack using OPW-TR-BR
OPW-TR-16/40	400	M16	on the top of the rack using OPW-TR-BR
OPW-TR-16/60	600	M16	on the top of the rack using OPW-TR-BR
OPW-TR-BR		M16	Threaded rod mounting bracket for top part of RDF/RSF/RHF



Note: All dimensions in mm